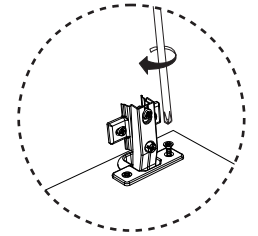
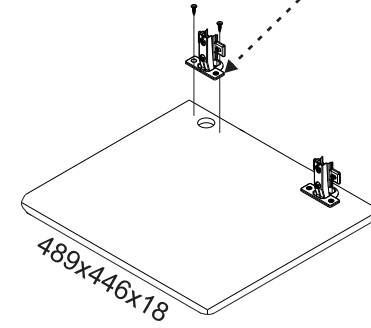
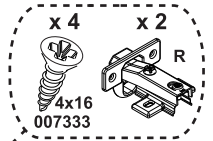
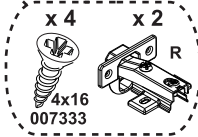
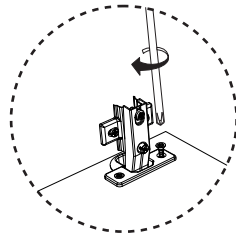
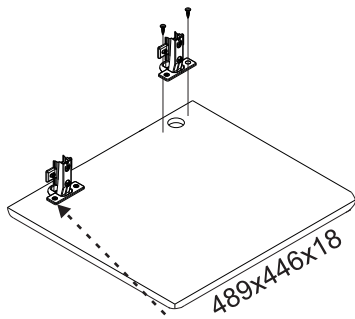


x 2



x 2



1.

